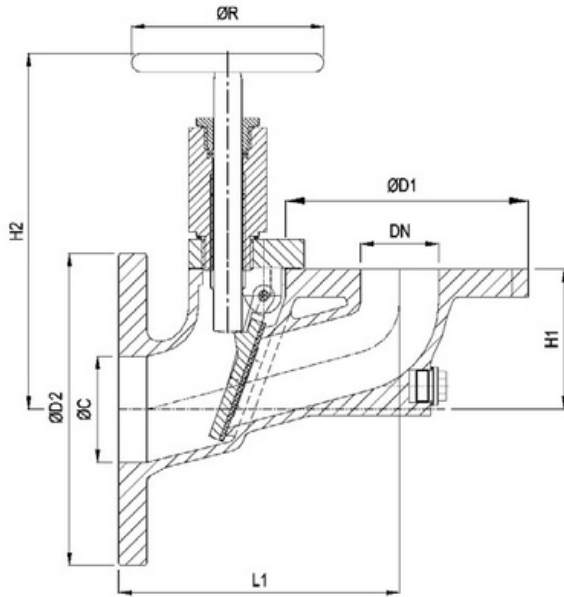


Storm valve - angle



STORM VALVE - ANGLE

NCI / BRONZE DISC

WITH CLOSING DEVICE AND HANDWHEEL

ITEM CODE : 972913

DN50~300 / PN10

MATERIAL SPECIFICATION

Body	GGG40.3	Nodular Cast Iron
Bonnet	GGG40.3	Nodular Cast Iron
Disc with sealing	RG5 + NBR	Bronze + Nitrile
Bonnet gasket	NBR	Rubber Nitrile Rubber
Bolts	-	Steel
Plug	Ms58	Brass

APPLICATION

Mainly installed in sanitary piping systems which have a ship's side exit.

TECHNICAL FEATURES

Design	DIN HNA Sr 6 Form B - with closing device and handwheel
Face to Face	EN 558 Series 48 (DIN 3202 F6)
Temperature range	-10°C ~ +60°C
Pressure rating	PN4

- Storm valves with flat faced DIN flanges and NBR vulcanized disc and closing device with handwheel, prevents seawater entering this system during heavy sea.

PRESSURE RANGES

BORE	PRESS.RATING	Hydro test press.[bar]	
		CASING	CLOSURE
DN50~250	PN4	6	4.4

DIMENSIONS

DN	ØD1 (mm)	ØD2 (mm)	PCD (mm)	N°holes (mm)	L1 (mm)	H1 (mm)	ØC (mm)	H2 (mm)	ØR (mm)	Weight (kg)
50/80	165	200	125/160	4xØ18/8xØ18	180	90	70	245	140	12
65/100	185	220	145/180	4xØ18/8xØ18	200	100	85	255	140	14
80/125	200	250	160/210	8xØ18/8xØ18	215	108	100	275	140	20
100/150	220	285	180/240	8xØ18/8xØ22	250	130	130	285	140	25
125/175	250	315	210/270	8xØ18/8xØ22	290	152	158	350	160	36
150/200	285	340	240/295	8xØ22/8xØ22	330	176	190	365	160	43
200/250	340	395	295/350	8xØ22/12xØ22	425	180	240	360	160	72
250/300	395	445	350/400	12xØ22/12xØ22	630	300	300	500	200	110
300/400	445	565	400/515	12xØ22/16xØ26	650	300	400	500	200	150

