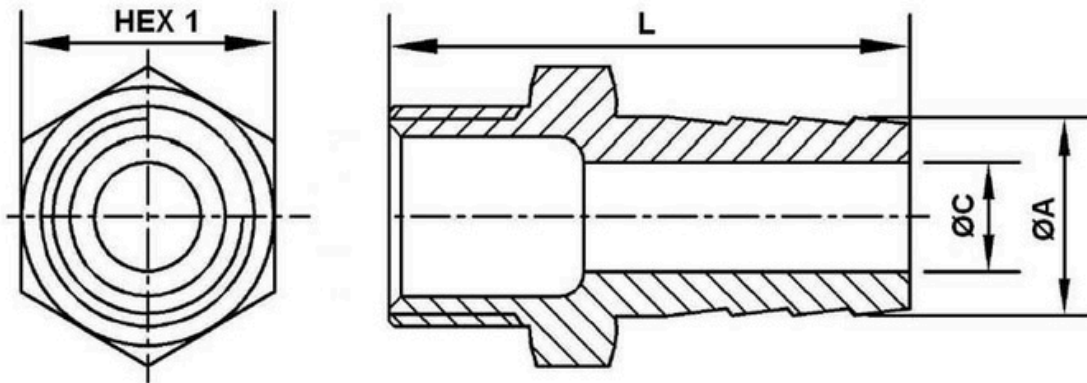
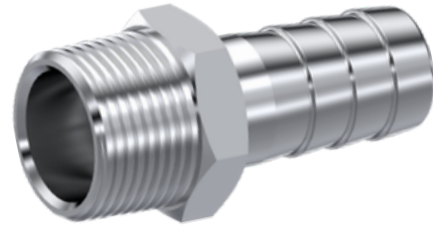


Screw low pressure fittings 150 LBS

Screwed fittings low pressure 150 LBS

Nipple fixed male fig. 399

Stainless Steel AISI 316



Norms: Male thread according to EN10226-1 BSPT
Female thread according to ISO 228-1 BSP

Face: 1/8" => 3/4" Hexagonal; 1" => 2" Octagonal

PN: 1/2" - 2": 17,6 Bar --- 2 1/2" - 3": 14 Bar --- 4" - 6": 7 Bar

Part n°	DN	R1	HEX 1	ØA	ØC	L
ZFIG39904	10	1/4"	15	9	5	48
ZFIG39906	12	3/8"	18,3	11	7	48
ZFIG39908	15	1/2"	22	15	10	52,6
ZFIG39912	20	3/4"	28	20	15,1	61
ZFIG39916	25	1"	36	26	20,4	66
ZFIG39920	32	1" 1/4	44	34	27,6	75
ZFIG39924	40	1" 1/2	50	40,5	33,5	82
ZFIG39932	52	2"	62	52,5	45,5	98,5

The dimensions in micro-casting parts are approximated in those elements without mechanization.