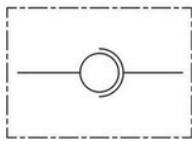


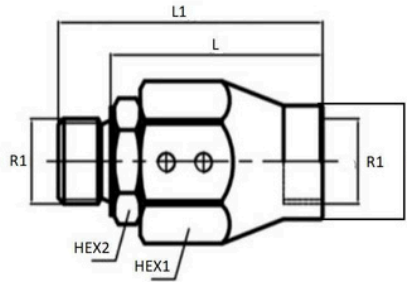
TrAle series Swivel fittings
Swivel fitting BSP

BSP Straight Swivel Fittings

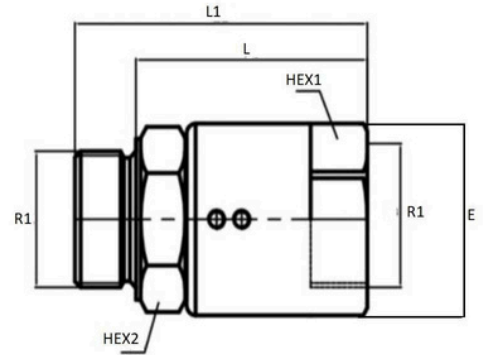
Mild Steel



RGR 1/4"----RGR 3/4"



RGR 1"



Part n°	R1	FLOW MAX (l/min)	MAX. PRESSURE (bar)	Max. rotation pressure	L1	HEX 1	HEX 2	E	L
RGR 1/4	1/4" BSP	25	400	200	63	30	19	24	51
RGR 3/8	3/8" BSP	45	400	200	65,6	34	24	23	52
RGR 1/2	1/2" BSP	80	360	150	70,8	36	27	28	56.7
RGR 3/4	3/4" BSP	120	310	150	81,8	46	34	37	62.8
RGR 1	1" BSP	150	280	100	89	50	41	59	70.2

Warning: The swivel joints in line and 90 ° are NOT eligible for fast and continuous rotation, but only for angular displacement

Working temperature: -20°C to 120°C