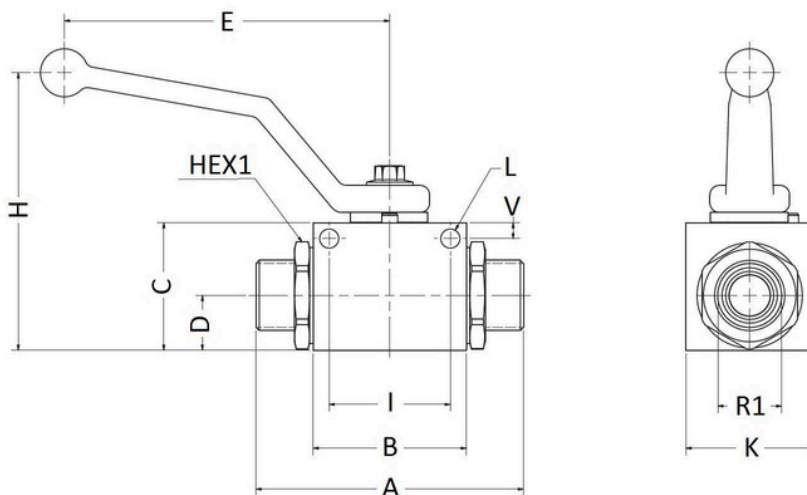
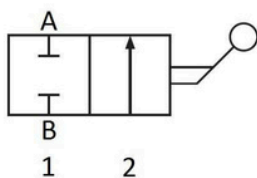


TrAle Ball Valves

2 ways

2 Ways ball valve: tube connection Light Serie

Mild Steel



Standard o-ring: NBR

Ball seat: POM
(polyoxymethylene)

Part n°	DN	ØD1	R1	MAX. PRESSURE (bar)	HEX 1	A	B	C	D	E	H	I	K	L	V
GB2V 6 L	6	6L	M12x1.5	500	22	67	37	32	13	110	68	26	28	4,5	5
GB2V 8 L	6	8L	M14x1.5	500	22	67	37	32	13	110	68	26	28	4,5	5
GB2V 10 L	8	10L	M16x1.5	500	27	74	42	40	17	110	77	32	32	6,5	5
GB2V 12 L	10	12L	M18x1.5	500	27	74	42	40	17	110	77	32	32	6,5	5
GB2V 15 L	13	15L	M22x1.5	500	30	82	48	40	17	110	77	37,5	40	6,5	4,8
GB2V 18 L	13	18L	M26x1.5	400	30	82	48	40	17	110	77	37,5	40	6,5	4,8
GB2V 22 L	20	22L	M30x2	315	41	101	60	57	24	170	108	45	48	6,5	6,5
GB2V 28 L	25	28L	M36x2	315	50	108	65	64	28,5	170	115	55	57	6,7	6

The information gathered in this technical documentation has an informative character and can be modified without previous notice. Unishore will not accept any type of responsibility resulting from an inappropriate use of the product, except the ones related to manufacturing defects.