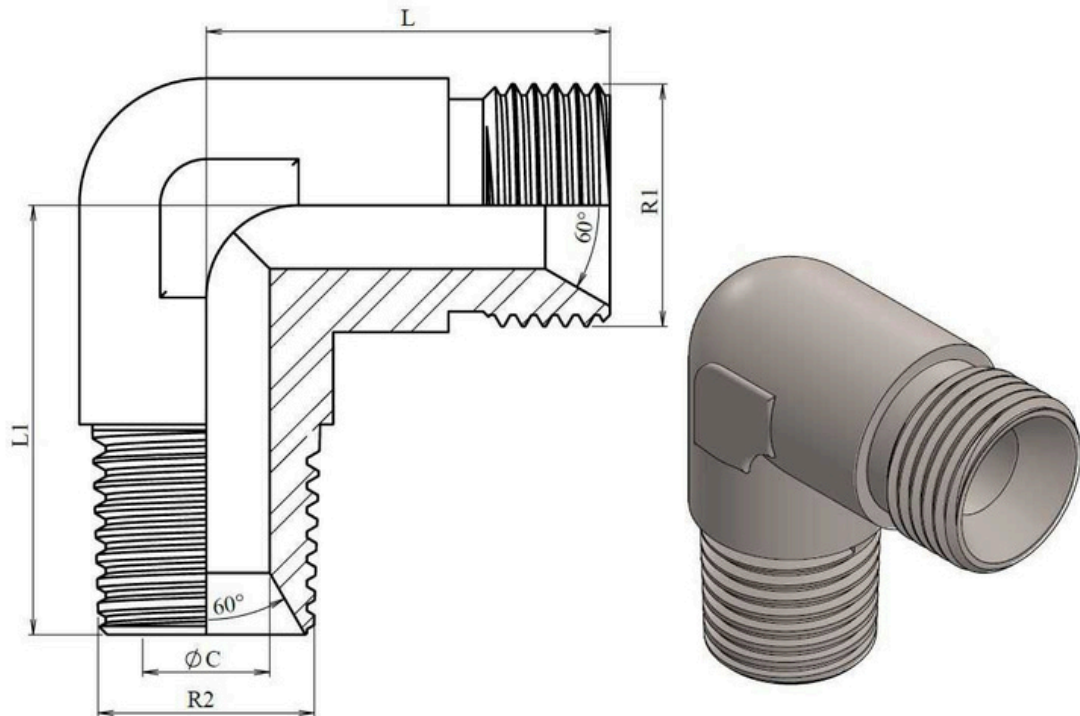


BSP Adaptors

Forging elbows

## 90° Adaptor male BSP 60° - male NPT

Stainless Steel AISI 316-L



Part n°	R1	R2	L	L1	CH1	ØC
Z11910404	1/4" BSP	1/4" NPT	25,4	26	14	6
Z11910606	3/8" BSP	3/8" NPT	28,5	28	20	8
Z11910808	1/2" BSP	1/2" NPT	32,5	34,5	27	11
Z11911212	3/4" BSP	3/4" NPT	41,3	39	28	18
Z11911616	1" BSP	1" NPT	69	50,5	36	22

*The information gathered in this technical documentation (Catalogue) has an informative character and can be modified without previous notice. Unishore will not accept any type of responsibility resulting from an inappropriate use of the product, except the ones related to manufacturing defects.*