

# ABA Nova



- ① **Specially designed screw** – Improved idle torque
- ② **Compact housing** – Better and more evenly spread clamping force
- ③ **Mechanically locked** – No welding points
- ④ **Band marking** – Material & size marked on each clamp
- ⑤ **Traceability** code of each clamp

## The highly versatile clamp

ABA Nova clamps incorporate a newly designed housing positioned to more evenly distribute a high clamping force and give safer guidance of the emerging band. The short housing saddle also provides optimal contact pressure on the hose.

The New Generation design results in a clamping force reserve that resists breaks for a safe seal connection. In addition, smooth undersides and rolled-up band edges are gentle on the hose and reduce risk of leakage as well.

## Advantages at a glance

- High clamping force
- High break torque
- Lower idle torque
- Every clamp is date stamped for traceability
- Requires very low packing space

## Materials



The highly versatile ABA Nova clamp is an ideal choice for smaller dimensions of hoses.

## Typical applications

- Machine building
- Chemical industry
- Irrigation systems
- Railway
- Agricultural machines
- Building machines
- Marine

### ABA Nova Aluzink S20

- The band is made of Aluzink for added corrosion resistance, this gives three times the protection offered by conventional galvanized steel

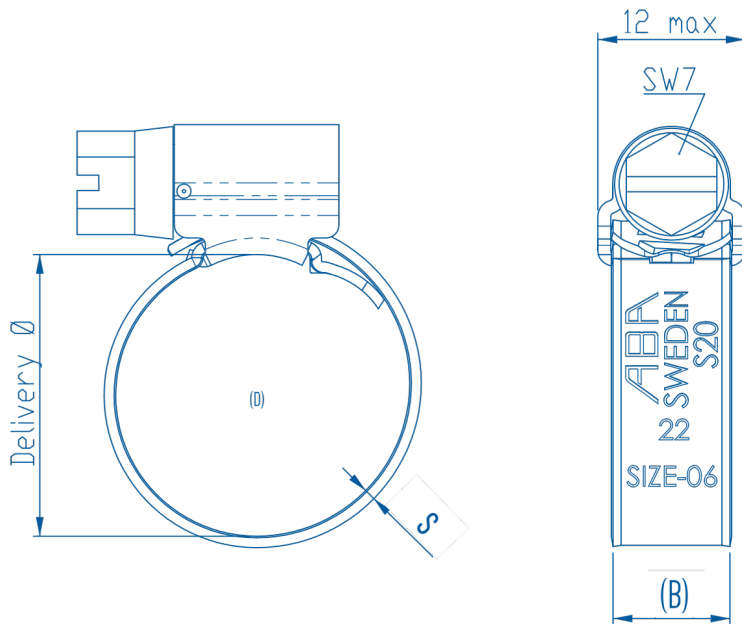
### ABA Nova Stainless S40

- All parts are made of SS 2333/AISI 304 stainless steel

### ABA Nova Acid-Resistant S50

- All parts are made of SS 2343/AISI 316 stainless steel
- Natural choice for applications where premium corrosion resistance is required
- This not only ensures premium corrosion resistance, it also prevents abrasion caused by using different material grades.

## Dimensions



## Specifications

| ABA NOVA 9 MM   |                           |                            |                     |                    |                    |                    |
|-----------------|---------------------------|----------------------------|---------------------|--------------------|--------------------|--------------------|
| Width<br>(B mm) | Clamping ranges<br>(D mm) | Clamping ranges<br>(D in.) | Thickness<br>(S mm) | S20<br>Product No. | S40<br>Product No. | S50<br>Product No. |
| 9               | 8-14                      | 5/16 - 9/16                | 0.8                 | 0811 6108 011      | 0811 6110 011      | 0811 6112 011      |
|                 | 11-17                     | 7/16 - 11/16               | 0.8                 | 0811 6108 014      | 0811 6110 014      | 0811 6112 014      |
|                 | 13-20                     | 1/2 - 13/16                | 0.8                 | 0811 6108 017      | 0811 6110 017      | 0811 6112 017      |
|                 | 15-24                     | 9/16 - 15/16               | 0.8                 | 0811 6108 020      | 0811 6110 020      |                    |
|                 | 19-28                     | 3/4 - 1 1/8                | 0.8                 | 0811 6108 024      | 0811 6110 024      |                    |
|                 | 22-32                     | 7/8 - 1 1/4                | 0.8                 | 0811 6108 027      | 0811 6110 027      |                    |
|                 | 26-38                     | 1 - 1 1/2                  | 0.8                 | 0811 6108 032      | 0811 6110 032      |                    |
|                 | 32-44                     | 1 1/4 - 1 3/4              | 0.8*                | 0811 6108 038      |                    |                    |
|                 | 38-50                     | 1 1/2 - 2                  | 0.8*                | 0811 6108 044      |                    |                    |
|                 | 44-56                     | 1 3/4 - 2 3/16             | 0.8*                | 0811 6108 050      |                    |                    |
|                 | 50-65                     | 2 - 29/16                  | 0.8*                | 0811 6108 058      |                    |                    |
|                 | 58-75                     | 2 1/4 - 2 15/16            | 0.8*                | 0811 6108 067      |                    |                    |
|                 | 68-85                     | 2 11/16 - 3 3/8            | 0.8*                | 0811 6108 077      |                    |                    |
|                 | 70-90                     | 2 3/4 - 39/16              | 0.8*                | 0811 6109 080      |                    |                    |
|                 | 80-100                    | 3 1/8 - 3 15/16            | 0.8*                | 0811 6109 090      |                    |                    |
|                 | 90-110                    | 3 9/16 - 45/16             | 0.8*                | 0811 6109 100      |                    |                    |
|                 | 100-120                   | 3 15/16 - 4 3/4            | 0.8*                | 0811 6109 110      |                    |                    |
|                 | 110-130                   | 4 5/16 - 5 1/8             | 0.8*                | 0811 6109 120      |                    |                    |
|                 | 120-140                   | 4 3/4 - 5 1/2              | 0.8*                | 0811 6109 130      |                    |                    |
|                 | 130-150                   | 5 1/8 - 5 15/16            | 0.8*                | 0811 6109 140      |                    |                    |
| 140-160         | 5 1/2 - 65/16             | 0.8*                       | 0811 6109 150       |                    |                    |                    |

\*1.0 for S20