

SWING CHECK VALVE



Terugslagklep swing

Omschrijving

Body messing

O-ring bovenkap NBR

O-ring zijplug NBR

Klep uit messing

Minimale en maximale gebruikstemperatuur 0°C – 90°C

Draadaansluitingen ISO 228 (overeenkomstig DIN EN ISO 228 en BS EN ISO 228)

In 3/8" t/m 2" met NBR zitting op klep, 2 1/2", 3" en 4" metaal afdichting

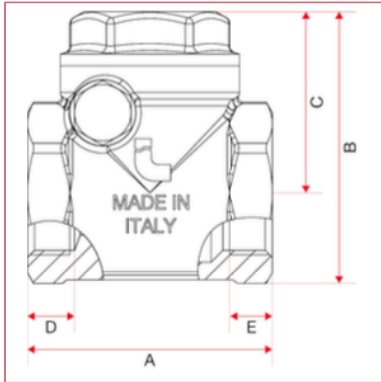
In maten 2 1/2", 3" en 4" op aanvraag beschikbaar met NPT draad

Maten

Size	Pressure
3/8" (DN 10)	16bar/232psi
1/2" (DN 15)	16bar/232psi
3/4" (DN 20)	16bar/232psi
1" (DN 25)	12bar/174psi
1"1/4 (DN 32)	10bar/145psi
1"1/2 (DN 40)	10bar/145psi
2" (DN 50)	10bar/145psi
2"1/2 (DN 65)	8bar/116psi
3" (DN 80)	8bar/116psi
4" (DN 100)	8bar/116psi
Size	Pressure
3/8" (DN 10)	16bar/232psi
1/2" (DN 15)	16bar/232psi
3/4" (DN 20)	16bar/232psi
1" (DN 25)	12bar/174psi
1"1/4 (DN 32)	10bar/145psi
1"1/2 (DN 40)	10bar/145psi
2" (DN 50)	10bar/145psi

130 Swing check valve

OVERALL DIMENSIONS



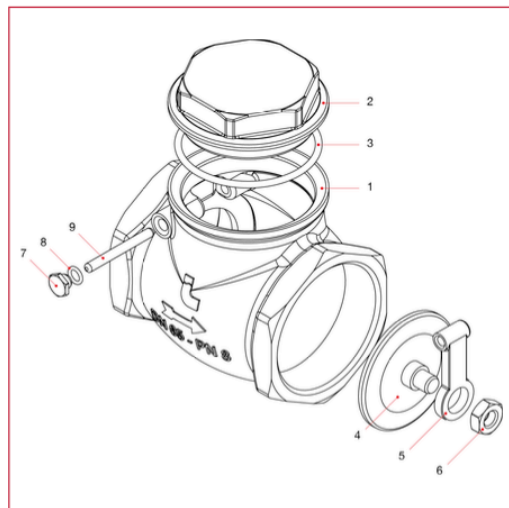
130M

	3/8"	1/2"	3/4"	1"	1 1/4"	1 1/2"	2"	2 1/2"	3"	4"
DN	10	15	20	25	32	40	50	65	80	100
A	43	43	52	62	72	81	94	119	134	169
B	50	50	58	66	76	86	100,2	126,7	146,5	183,5
C	35	35	38,5	42	48	54	61	78	90	111
D	12	9,5	10	13	13	13	13,5	20,5	22,5	30,5
E	8	8	9	11,5	11,5	14,5	13	18	20	24
Kg/cm ² bar	16	16	16	12	10	10	10	8	8	8
LBS - psi	232	232	232	174	145	145	145	116	116	116

130G

	3/8"	1/2"	3/4"	1"	1 1/4"	1 1/2"	2"
DN	10	15	20	25	32	40	50
A	43	43	52	62	72	81	94
B	50	50	58	66	76	86	100,2
C	35	35	38,5	42	48	54	61
D	12	9,5	10	13	13	13	13,5
E	8	8	9	11,5	11,5	14,5	13
Kg/cm ² bar	16	16	16	12	10	10	10
LBS - psi	232	232	232	174	145	145	145

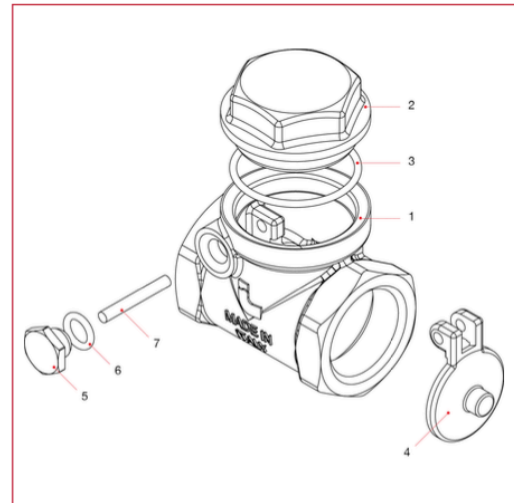
MATERIALS art.130M sizes 2 1/2 through 4"



POS.	DESCRIPTION	N.	MATERIAL
1	Body	1	Brass CW617N
2	End adapter	1	Brass CW617N
3	O-ring	1	NBR
4	Plate	1	Brass CW617N
5	Arm	1	Brass CW617N
6	Nut	1	Brass CW614N
7	Cap	1	Brass CW614N
8	O-ring	1	NBR
9	Pin	1	Brass CW614N

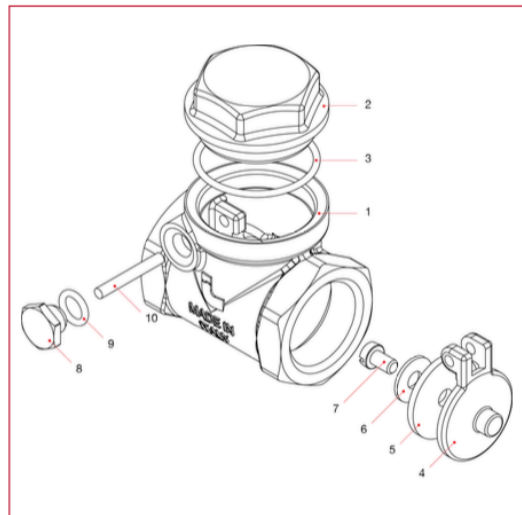
130 Swing check valve

MATERIALS art.130M sizes 3/8" through 2"



POS.	DESCRIPTION	N.	MATERIAL
1	Body	1	Brass CW617N
2	End adapter	1	Brass CW617N
3	O-ring	1	NBR
4	Plate	1	Brass CW617N
5	Cap	1	Brass CW614N
6	O-ring	1	NBR
7	Pin	1	Brass CW614N

MATERIALS art.130G



POS.	DESCRIPTION	N.	MATERIAL
1	Body	1	Brass CW617N
2	End adapter	1	Brass CW617N
3	O-ring	1	NBR
4	Plate	1	Brass CW617N
5	Washer	1	NBR
6	Washer	1	Brass CW508L
7	Screw	1	Brass CW508L
8	Cap	1	Brass CW614N
9	O-ring	1	NBR
10	Pin	1	Brass CW614N