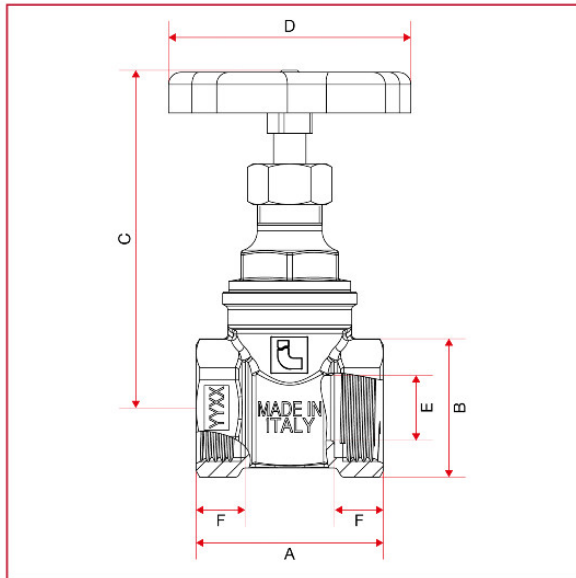


# BRASS GATE VALVE PN16

## OVERALL DIMENSIONS



## Gate valve brass

### Description

Suitable for domestic water services, heating, air-conditioning plants and compressed air systems.

Female/female threads

Handwheel in aluminum

Body in brass.

Minimum and maximum working temperatures: 0°C, 150°C in absence of steam.

Threads: ISO 228 (equivalent to DIN EN ISO 228 and BS EN ISO 228).

Available also with NPT thread in the sizes 2"1/2, 3" and 4".

### Sizes

Size	Pressure
1/2" (DN 15)	16bar/232psi
3/4" (DN 20)	16bar/232psi
1" (DN 25)	16bar/232psi
1"1/4 (DN 32)	16bar/232psi
1"1/2 (DN 40)	16bar/232psi
2" (DN 50)	16bar/232psi
2"1/2 (DN 65)	16bar/232psi
3" (DN 80)	16bar/232psi
4" (DN 100)	16bar/232psi